

CAUTION: The device may only be connected and installed by a qualified electrician. All applicable regulations, legislation and building codes must be observed. Incorrect installation of the device can cause irreparable damage to the device and the connected LEDs.

12V - 48V DC IN

To connect the driver to a 12-48V DC power supply unit (PSU), connect the PSU's positive voltage supply wire to the VDC+ connector and the PSU's negative voltage supply wire to the VDC- connector. The driver and LEDs can use the same PSU.

EXT in

You have the possibility to connect an external control device (10kΩ potentiometer or show selection switch) to the driver's Ext in+ and Ext in- connector. Configure the driver for use with an external control device over the 3-button user interface.

DA+ / DA-

Use these connectors to connect the driver to a DALI network. Always combine a DA+ and a DA- connector for either data input or data output.

DMX in/LedSync out

Use these connectors when the driver is used in a DMX network.

For DMX in, connect the network cable's DMX+, DMX- and DMX shielding wire (the orange/white, orange and brown wire in a CAT5 cable) to the DMX in+, DMX in- and DMX in shield connector respectively.

For LedSync out, connect the network cable's data+, data- and shielding wire to the LedSync out+, LedSync out- and LedSync shield connector respectively.

LED groups

Indicates the location of the connectors for your LED groups. R(ed) represents channel 1, G(reen) represents channel 2, B(lue) represents channel 3 and W(hite) represents channel 4. The default group color allocation can be changed over the 3-button user interface.

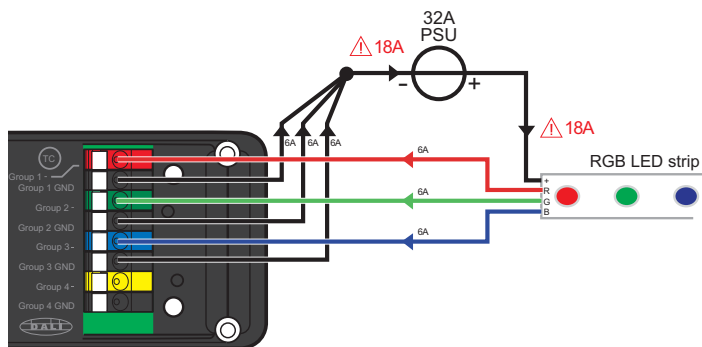
Connecting an RGB LED strip

Maximum current per output: 6A

Use a star connection for the ground wires and keep the length of the wires that deal with high amperages under 10 - 15cm / 3.9 - 5.9 inch.

Configuration of the LED groups:

Press M and + simultaneously, in the LED menu choose RGB and save this setting by pressing M.



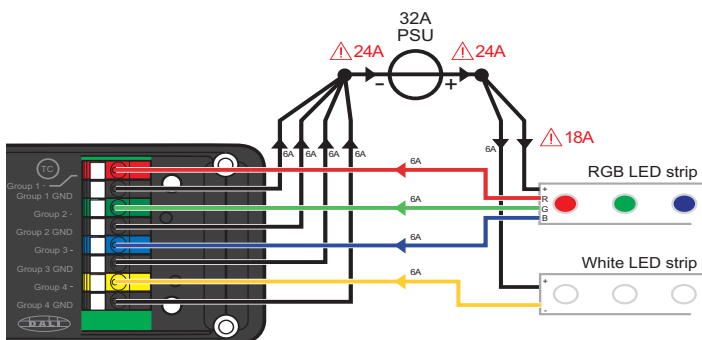
Connecting an RGB strip and a white LED strip

Maximum current per output: 6A

Use a star connection for the ground wires and keep the length of the wires that deal with high amperages under 10 - 15cm / 3.9 - 5.9 inch.

Configuration of the LED groups:

Press M and + simultaneously, in the LED menu choose RGBW and save this setting by pressing M.



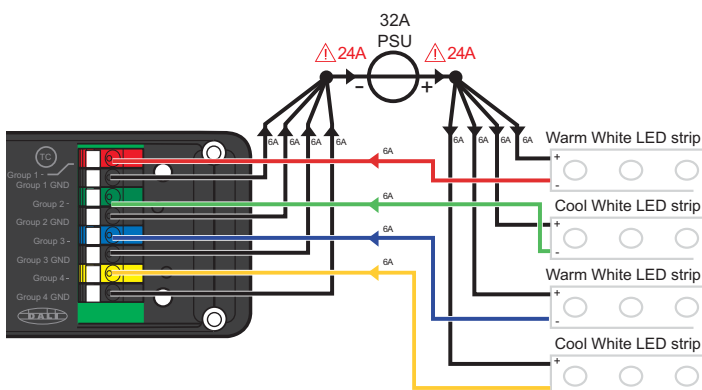
Connecting warm white and cool white LED strips

Maximum current per output: 6A

Use a star connection for the ground wires and keep the length of the wires that deal with high amperages under 10 - 15cm / 3.9 - 5.9 inch.

Configuration of the LED groups:

Press M and + simultaneously, in the LED menu choose 4-L and save this setting by pressing M.



Connecting four white or self-colored LED strips

Maximum current per output: 6A

Use a star connection for the ground wires and keep the length of the wires that deal with high amperages under 10 - 15cm / 3.9 - 5.9 inch.

Configuration of the LED groups:

Press M and + simultaneously, in the LED menu choose 1-4L and save this setting by pressing M.

